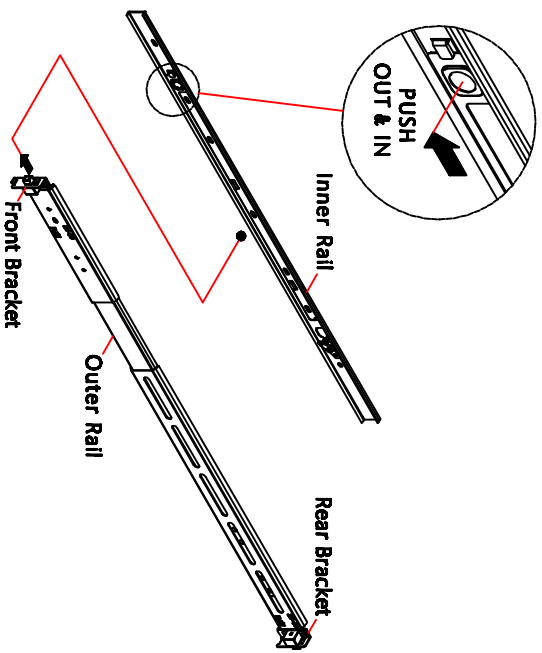
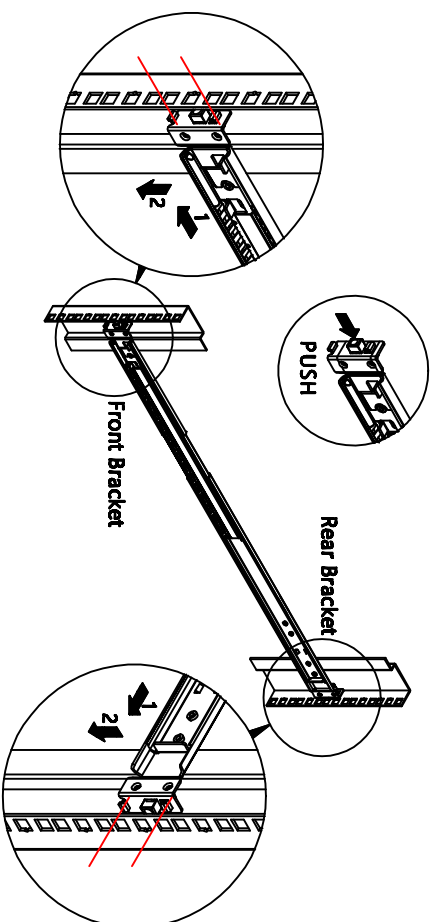


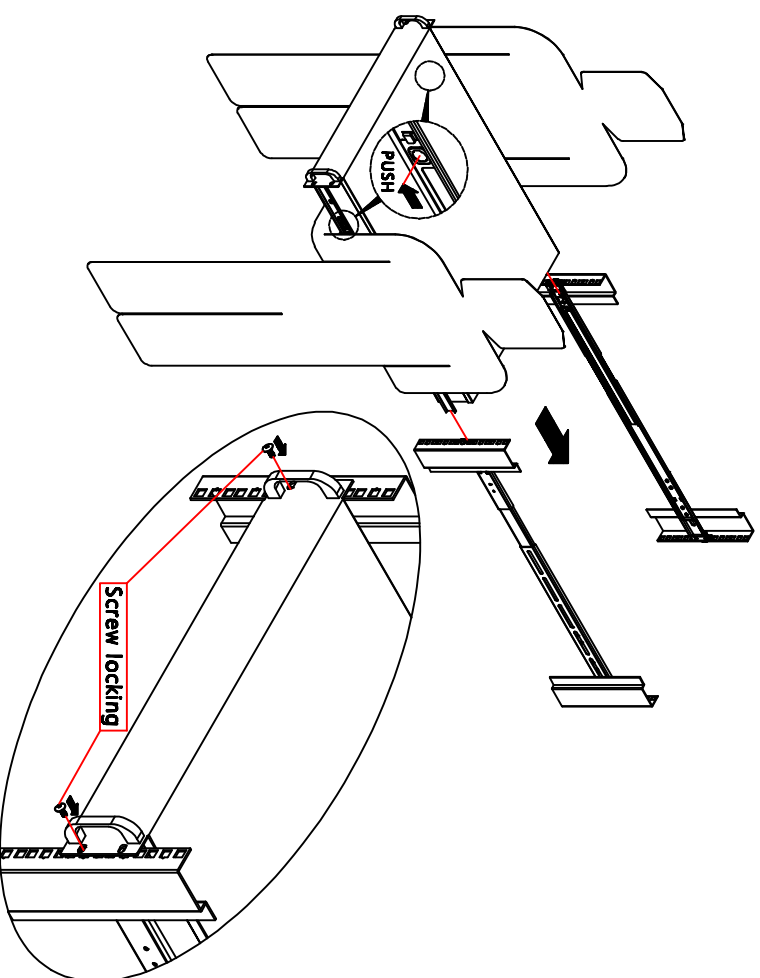
1. Slide Out Both Inside Parts of the Rail



2. Mount the Front and Rear Brackets of the Rail to the Rack



4. Slide in the Case with Inside Parts of the Rail to the Outside Parts of the Rail on the Rack



3. Screw the Inside Parts of the Sliding Rail to Both Side of the Case

