

**Model: AWM-2700-SDI**  
**27" Full HD IP67 Sunlight Readable Marine Monitor with HD-SDI, 3G-SDI Input and Output**



## Main Feature

- 27" Full HD LED Panel support 1920 × 1080 pixels
- 6mm Aluminum front bezel with strengthen glass
- IP 67 compliant front panel with Anti - Glare glass
- Rugged construction design
- Signals: VGA + HDMI + 2 × BNC + 3G-SDI Input, and BNC + 3G-SDI Output (Loopback)
- Isolated 9-36VDC Wide range input
- OSD control keys to optimize the display (with 0-100% Dimming Control)
- Panel mounting with clip
- Panel mounting with clip, and standard VESA hole ( 100x100 mm ) support desktop stand/wall mounting
- Shock & Vibration - compliance with EN50155 / MIL-STD-810F / IEC-60945

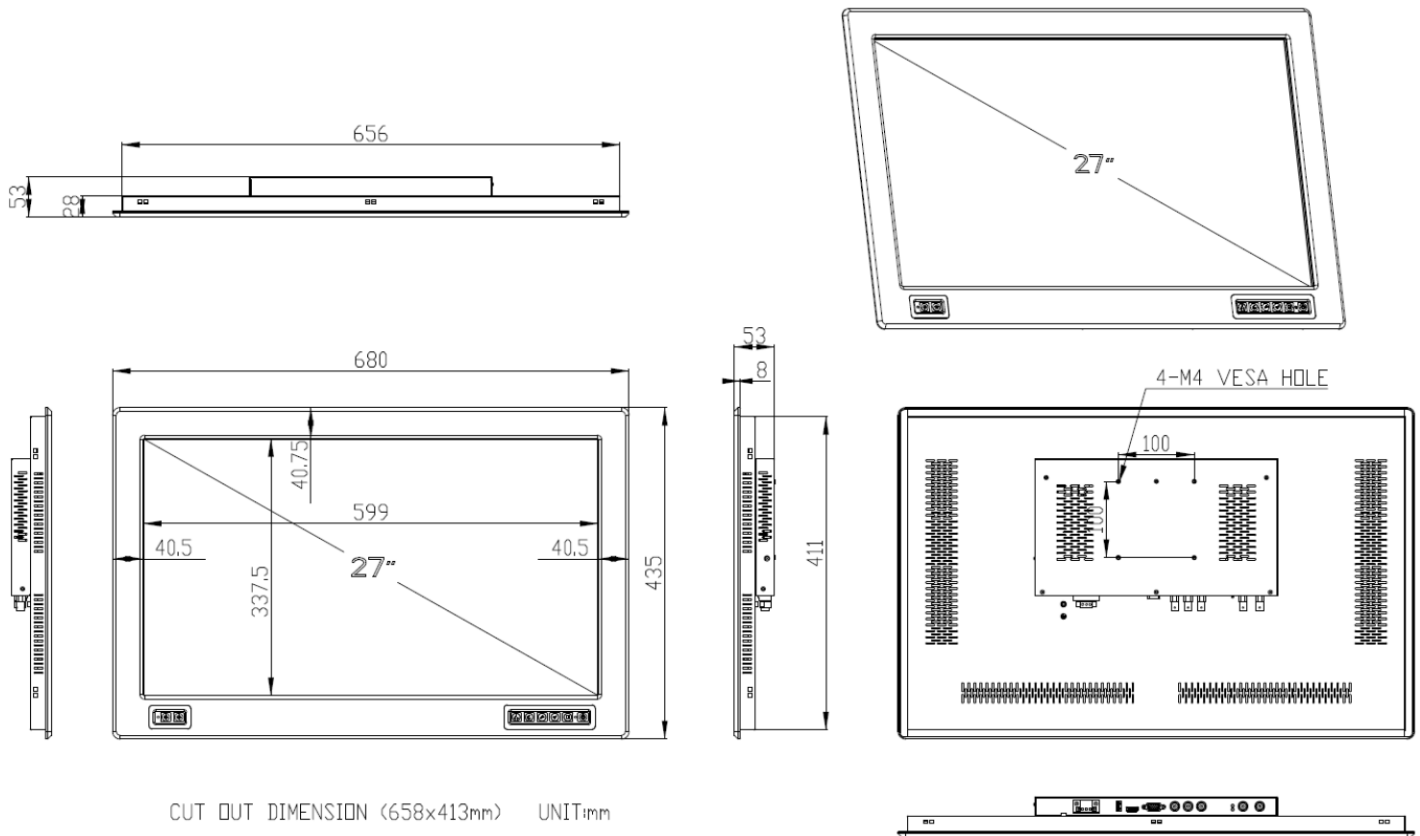
Specification	
Product Model	AWM-2700W-SDI
LCD Panel	Display Type : 27" Full HD LED Panel Resolution : 1920 x 1080 Max. color : 16.7M Luminance : 1,000 cd/m2 View Angel : 178° (H), 178° (V) Pixel Pitch : 0.311 x 0.311 mm Contrast Ratio : 3000 : 1 Response Time : 25 ms Power Consumption : 45 Watt LCD MTBF : 50,000hrs
Signal Input / Output	VGA + HDMI + 2 × BNC + 3G-SDI Input & Output (loopback)
Protect Glass	3 mm strengthen glass
OSD	Brightness, Contrast, H/V Position, Color, Phase, Clock, auto tune and recall

Touch Screen ( optional )	<p>Internal USB or RS-232 interface controller          Type: Analog resistive type : 25VDC <math>\geq</math> 20M<math>\Omega</math>          Resolution: continuous          Light transmission: 80% or more          Power consumption: &lt;5V @1mA          Surface hardness : 3H          Operating force : <math>\leq</math>100g          Life expectancy : 35 Million          Operation system : Window 2000 / XP / Vista / 7 / 10 / CE, DOS , Linux</p>
Power Supply	Input: Isolated 9-36VDC Wide range
Construction	Heavy duty steel and aluminum front panel
Environment	<p>Operating temperature: -10 °C to 55 °C          Storage temperature: -20 °C to 70 °C          Storage humidity: 10% to 95%, non-condensing          Vibration: compliance with MIL-STD-810          Shock: compliance with MIL-STD-810</p>
Safety	CE/FCC/Rohs
Dimension W x H x D ( mm )	Dimensions: 680 x 435 x 53 mm

## Ordering Information

AWM-2700W-SDI	27" Full HD IP67 Sunlight Readable Marine Monitor with HD-SDI, 3G-SDI Input and Output
---------------	--

## Structure Diagram Unit :mm



CUT OUT DIMENSION (658x413mm) UNIT:mm