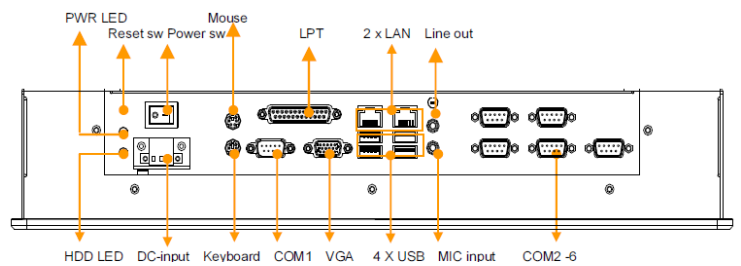


Model: **EIPC-J1900-19** (without Touch screen) **EIPC-J1900-19T** (with Touch screen)

19" Marine Suitable Intel Celeron J1900 Panel PC - 6 x COM; IP65 front protection; Optional - Touch Screen & WIFI



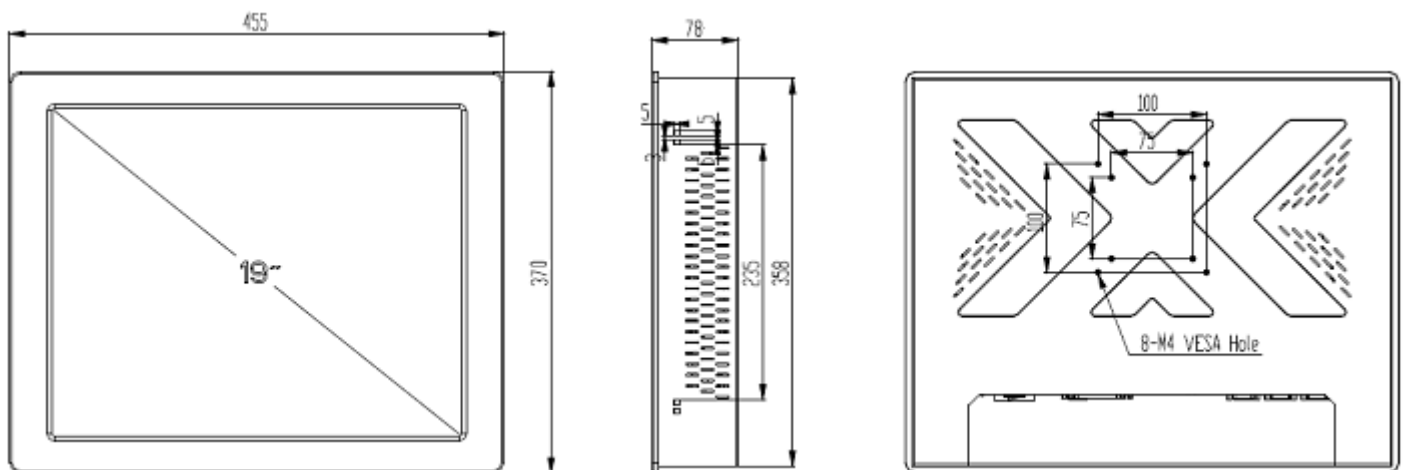
Main Feature

- LED Panel - Higher Brightness; Longer Life Span; Better Viewing Angle; Less Power Consumption ...
- 19" SXGA LED Panel support 1280×1024 pixels
- Intel Celeron J1900 (2.0GHz, Quad Core, 2MB Cache) Processor
- Rugged construction design
- Front 6mm Aluminum bezel - NEMA4 / IP 65 compliant
- 6 x COM (5 x RS232 and 1 x RS422/485)
- (Optional - Touch Screen) Front hardness glass protect screen
- (Optional - WIFI) MINI PCI-E WIFI Module with Antenna
- Panel (Flush) mounting with clip
- Meet standard VESA hole (75 & 100 mm), support desk top stand / wall mount / swing arm mounting

Specification	
Product Model	EIPC-J1900-19 / EIPC-J1900-19T
CPU	Intel Celeron J1900 (2.0GHz, Quad Core, 2MB Cache, up to 2.41 GHz w/ burst frequency enabled)
Chipset	Intel® SOC integrated
Memory	1 x DDR3L SO-DIMM Socket up to 8GB
Storage	Space for 1 x 2.5" Drive Bay
Display	Display Type : 19" SXGA <u>LED Panel</u> LCD Resolution : 1280 x 1024 Luminance : 300 cd/m2 View Angel : 170° (H), 160° (V)
Audio	Realtek ® ALC662, 5.1 channel surround audio

LAN	2 x Realtek ® RL8111x (Gigabit) 10/100/1000Ethernet
USB port	4 x USB 2.0
VGA port	Intel HD Display output
Expansive interface	1 x Mini PCI-E
Back panel I/O port	2 x PS2 for KB/Mouse; 2 x RJ45; 4 x USB 2.0; 1 x VGA ; 1 x Lin-in / Lin-out; 1 x LPT; 6 x COM; 1 x HDD/PWR LED; 1 x Power / Reset Switch; 1 x PWR-In 3 PIN Terminal Block
Supporting OS	DOS; Windows 7/8.1/10; Linux
Touch Screen (optional)	Internal USB interface controller - Resistive Touch Type: Analog resistive type : 25VDC ≥ 20MΩ Resolution: continuous Light transmission: 80% or more Power consumption:<5V @1mA Surface hardness : 3H Operating force : ≤100g Life expectancy : 35 Million
Wireless LAN (optional)	MINI PCI-E WIFI Module with Antenna
Power Supply	12VDC input with 3 pin termination block
Construction	Heavy duty steel and aluminum front panel
Environment	Operating temperature: -5 °C to 60 °C Relative humidity: 10% to 90%non-condensing Vibration: 17 to 500HZ 1G PTP; Shock: 1G /peak(11m sec)
Compliance	CE; FCC; ROHS
Dimension W x H x D (mm)	455 x 370 x 78
Ordering Information:	
EIPC-J1900-19	19" Marine Suitable Panel PC - Intel Celeron J1900, with 100-240VAC to 12VDC adapter
EIPC-J1900-19T	19" Marine Suitable Panel PC - Intel Celeron J1900, with Touch Screen, with 100-240VAC to 12VDC adapter
<u>Optional</u> - RAM	4 to 8GB DDR3L SO-DIMM RAM
<u>Optional</u> - SSD / HDD	32 GB to 1TB SSD / 500GB to 1TB 2.5" SATA HDD
<u>Optional</u> - WIFI	MINI PCI-E WIFI Module with Antenna
<u>Optional</u> - OS	Windows 7/8.1/10 Professional

Structure Diagram



CUT OUT DIMENSION (445mmx360mm) UNIT:mm