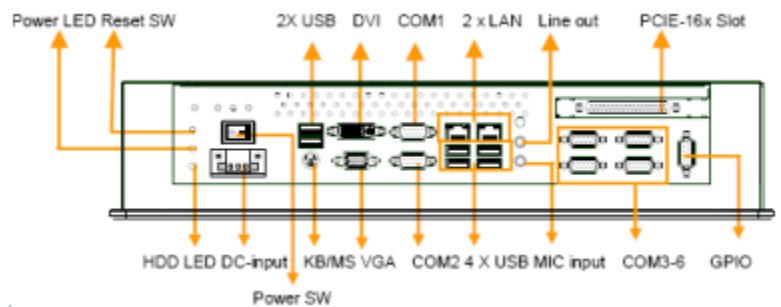


Model: EIPC-i7-17
**17" Marine Suitable Intel Core i3/5/7 Panel PC - 6 x COM; 1 x PCI-E X16;
 IP65 front protection; Optional - WIFI**



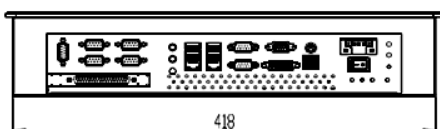
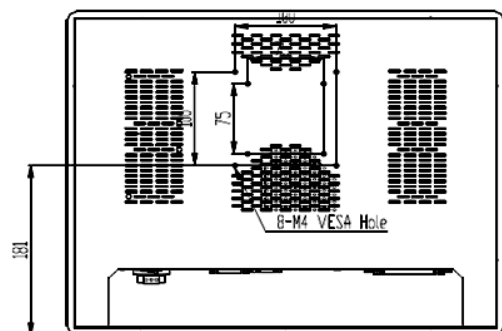
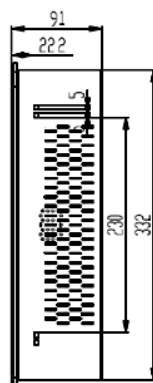
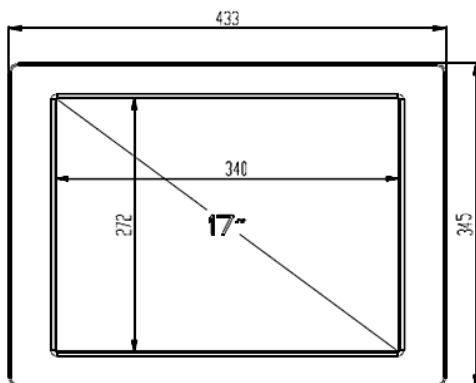
Main Feature

- LED Panel - Higher Brightness; Longer Life Span; Better Viewing Angle; Less Power Consumption ...
- 17" SXGA LED Panel support 1280x1024 pixels
- Support Intel®LGA1155 Socket Core i7/i5/i3/Celeron Processor
- Rugged construction design
- Front 6mm Aluminum bezel - NEMA4 / IP 65 compliant
- 6 x COM (COM1 could set to RS422/485)
- 1 x PCI-E X16 Expansion slot
- Wide Range 9-28VDC input
- (Optional - WIFI) MINI PCI-E WIFI Module with Antenna
- Panel (Flush) mounting with clip
- Meet standard VESA hole (75 & 100 mm), support desk top stand / wall mount / swing arm mounting

| Specification | |
|---------------|--|
| Product Model | EIPC-i7-17 |
| CPU | Support Intel®LGA1155 Socket Core i7/i5/i3/Celeron Processor |
| Chipset | Intel H61 |
| Memory | 1 x DDRIII DIMM 1066/1333 RAM Socket up to 8GB |
| Storage | Space for 1 x 2.5" Drive Bay |
| Display | Display Type : 17" SXGA <u>LED Panel</u> LCD Resolution : 1280 x 1024 Luminance : 300 cd/m2 View Angel : 160° (H), 160° (V) |

| | |
|------------------------------|---|
| Audio | Realtek ® ALC662, 5.1 channel surround audio |
| LAN | 2 x Realtek ® RL8111x (Gigabit) 10/100/1000Ethernet |
| USB port | 6 x USB 2.0 |
| VGA port | 1 x DB-15 pin connector |
| Expansive interface | 1 x PCI-E X16; 1 x Mini PCI-E |
| Back panel I/O port | 1 x PS2 for KB/Mouse; 2 x RJ45; 6 x USB 2.0; 1 x VGA ; 1 x Lin-in / Lin-out; 1 x DVI; 6 x COM; 1 x HDD/PWR LED; 1 x Power / Reset Switch; 1 x PWR-In 3 PIN Terminal Block |
| Supporting OS | DOS; Windows 2K/XP/Vista/7; Linux |
| Wireless LAN (optional) | MINI PCI-E WIFI Module with Antenna |
| Power Supply | 9-28VDC input with 3 pin termination block |
| Construction | Heavy duty steel and aluminum front panel |
| Environment | Operating temperature: -5°C to 60°C Relative humidity: 10% to 90%non-condensing Vibration: 17 to 500HZ 1G PTP; Shock: 1G /peak(11m sec) |
| Compliance | CE; FCC; ROHS |
| Dimension W x H x D (mm) | 433 x 345 x 91 |
| Ordering Information: | |
| EIPC-i7-17 | 17" Marine Suitable Intel Core i7/i5/i3 Panel PC with 100~240VAC to DC 12V 120W adapter |
| <u>Optional</u> - Processor | Intel Core i7 / i5 / i3 / Celeron Processor |
| <u>Optional</u> - RAM | 2 to 8GB DDRIII DIMM RAM |
| <u>Optional</u> - SSD / HDD | 16 GB to 1TB SSD / 320GB to 1TB 2.5'' SATA HDD |
| <u>Optional</u> - WIFI | MINI PCI-E WIFI Module with Antenna |
| <u>Optional</u> - OS | Windows XP or 7 Professional 32 bit |

Structure Diagram



CUT OUT DIMENSION (420x334mm) UNIT:mm