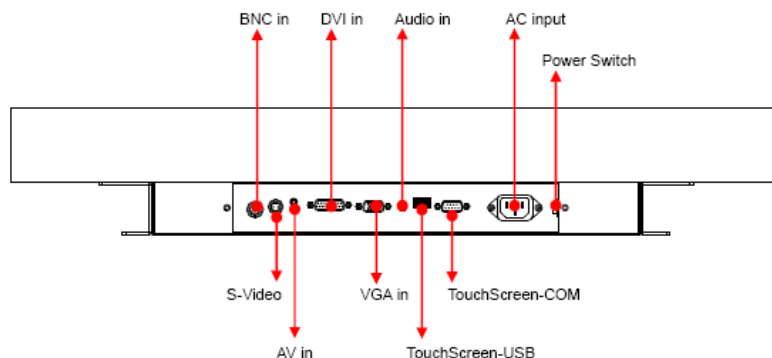


**Model: ICM-26W**  
**26" Industrial Chassis Monitor (Wide Screen)**



### Main Feature

- 26" WXGA TFT LCD Panel support 1366 × 768 pixels
- Heavy duty steel chassis with strengthen glass
- Rugged construction design
- Input signal : VGA + DVI + Audio
- Build in 2 x 8 Watts stereo speaker
- OSD control keys to optimize the display
- AC 100-240V wide range external AC adapter
- Meet standard VESA hole ( 75x75 and 100x100 mm )

| Specification                    |   |
|----------------------------------|---|
| Product Model                    | ICM-26W   |
| LCD Panel                        | Display Type : 26" WXGA TFT LCD<br>Resolution : 1366 x 768<br>Max. color : 16.2M<br>Luminance : 500 cd/m2<br>View Angel : 160°(H), 150°(V)<br>Pixel Pitch : 0.1405 x 0.4215 mm<br>Contrast Ratio : 800 : 1<br>Response Time : 8 ms<br>Power Consumption : 66 Watt<br>LCD MTBF : 60,000hrs |
| Signal Input                     | VGA ( 15 pin D-sub connector ) + DVI (DVI-D) + audio input ( audio jack )   |
| Protect Glass                    | 3 mm strengthen glass   |
| Speaker                          | Built-in 2x stereo speakers(8 watt)   |
| OSD                              | Brightness, Contrast, H/V Position, Color, Phase, Clock, PIP, Auto tune and recall  |
| Signal Connectivity ( optional ) | AV input (S-Video, RCA, BNC)  |
| Power Supply                     | Input: 100~240VAC,50/60Hz, with 180 Watt internal power board   |
| Construction                     | Heavy duty steel chassis  |

|                            |  |
|----------------------------|--|
| Environment                | Operating temperature: 0 °C to 50 °C<br>Storage temperature: -20 °C to 60 °C<br>Storage humidity: 10% to 95%, non-condensing<br>Vibration: 17 to 500HZ 1G PTP<br>Shock: 1G /peak( 11m sec) |
| Safety                     | CE/FCC/Rohs  |
| Dimension W x H x D ( mm ) | Dimensions: 660.4x408.94x108 mm  |
| Weight                     | NET weight: KG; Gross weight: KG   |

## Ordering Information

|              |  |
|--------------|--|
| ICM-26W      | 26" Industrial Chassis Monitor (Wide Screen) |
| Optional: DC | Support DC input (7-28VDC)                   |
| Optional: AV | Support AV Input (S-Video, RCA)              |

## Structure Diagram

Unit: mm

