

**Model:** PPC-19M1  
**19'' Fanless Intel Core i3/i5/i7/i9 Touch Panel PC - 6 x COM; IP65 front protection; and PCI-E 3.0 X16**



### Application:

Factory Automation; Processor Automation; Power Generation; Marine / Offshore Industrial; Kiosk ...

### **Main Feature**

- LED Panel - Higher Brightness; Longer Life Span; Better Viewing Angle; Less Power Consumption ...
- 19" SXGA LED Panel support 1280x1024 pixels
- Front Dimming Control (0-100%), PWR / Reset and USB port
- Support Intel® 12/13/14th Gen. Core™ i processor (LGA1700)
- NEMA4 / IP 65 compliant 6mm Aluminum front bezel
- Aesthetic ultra-thin front bezel for minimize stain water & dust
- 6 x COM (COM1 &2 supporting RS232/422/485)
- PCI-E 3.0 X16 Expansion slots
- Panel (Flush) mounting with clip
- (Optional - WIFI) M.2 Key E 2230 - WIFI Module with Antenna

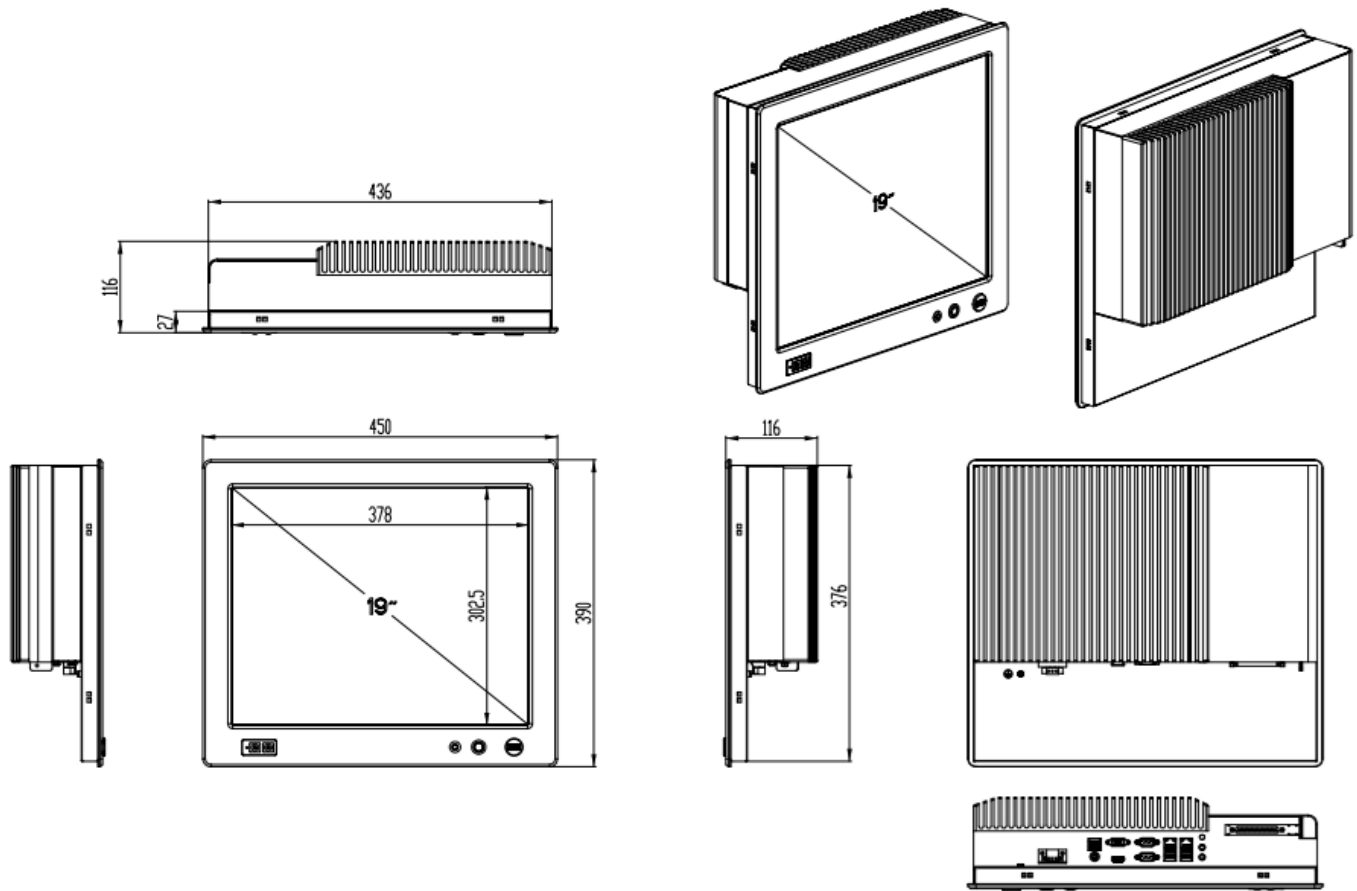
Specification	
Product Model	PPC-19M1
CPU	Support Intel®LGA1700 Socket Core Celeron/i3/i5/i7/i9 Processor
Chipset	Intel H610
Memory	2 x DDR4 SO-DIMM Socket up to 128GB
Storage	Space for 1 x 2.5" HDD/SSD SATA 3.0, and M.2 Key M 2260/2280 NVME PCIE3.0 X4

Display <i>(Optional: upgrade to Sunlight Readable, 1,000nit brightness)</i>	Display Type : 19" SXGA <u>LED Panel</u> LCD Resolution : 1280 x 1024 Luminance : 400 cd/m2 View Angel : 160°(H), 160°(V)
Audio	Realtek ® ALC897, 6.1 channel surround audio
LAN	2 x Intel® i226, Gigabit LAN Controller
USB / PS2 port	1 x USB 2.0 (front), and 2 x USB 2.0 (rear) + 4 x USB 3.0 (Rear), 1 x PS2
COM port	2 x RS232/422/485 (COM 1 & 2 - Selectable), and 4 x RS232
Graphic	Intel HD Graphic Accelerator, with VGA and HDMI 1.4 output
Expansive interface	PCI-E 3.0 X16; 1 x M.2 Key E 2230 WIFI
Front and Rear I/O port	2 x RJ45; 6 x USB 2.0/3.0; 1 x VGA; 1 x HDMI; 1 x Lin-in / Lin-out; 2 x COM (Optional 6 x COM), 1 x PS2, 1 x Power Switch/Reset; 1 x DC input terminal
Supporting OS	Microsoft® Windows 10 LTSC, Microsoft® Windows 11, Linux
Touch Screen	Touch Type 5-wire analog resistive, with optional projected capacitive touch Light Transmission 80+/-5% Controller USB interface Durability 35 million touches
Wireless LAN ( optional )	M.2 Key E 2230 WIFI Module with Antenna
Power Supply	12-24VDC input with 110-240VAC Adapter
Construction	Heavy duty steel and aluminum front panel
Environment	Operating temperature: -15°C to 60°C Relative humidity: 10% to 90%non-condensing Vibration: 17 to 500HZ 1G PTP; Shock: 1G /peak( 11m sec)
Compliance	CE; FCC; ROHS
Dimension W x H x D ( mm )	450 x 390 x 116

## Ordering Information

PPC-19M1	19'' Industrial Fanless Touch Panel PC, with PCI-E 3.0 X16 Expansion slots
Optional - i3	Intel Core i3 Processor i3 - 12100T to i3 -14100T
Optional - i5	Intel Core i5 Processor i5 - 12400T to i5 -14400T
Optional - i7	Intel Core i7 Processor 73 - 12700T to i7 -14700T
Optional - RAM	8 to 128GB DDR4 SO-DIMM RAM
Optional - HB	upgrade to Sunlight Readable, 1,000nit brightness
Optional - SSD / HDD	128 GB to 2TB SSD / 500GB to 1TB 2.5'' SATA HDD
Optional - OS	Microsoft® Windows 10 LTSC, Microsoft® Windows 11, Linux

## Structure Diagram (Mounting Hole / Cut-Off Size: 439 x 379 mm)



CUT OUT DIMENSION(439x379mm) UNIT:mm