

Model: RMM-24W
 8U, 19" Rack mount 24" Full HD LED
 Monitor

Model: RMM-24WT
 8U, 19" Rack mount 24" Full HD LED
 Monitor, with Touch screen



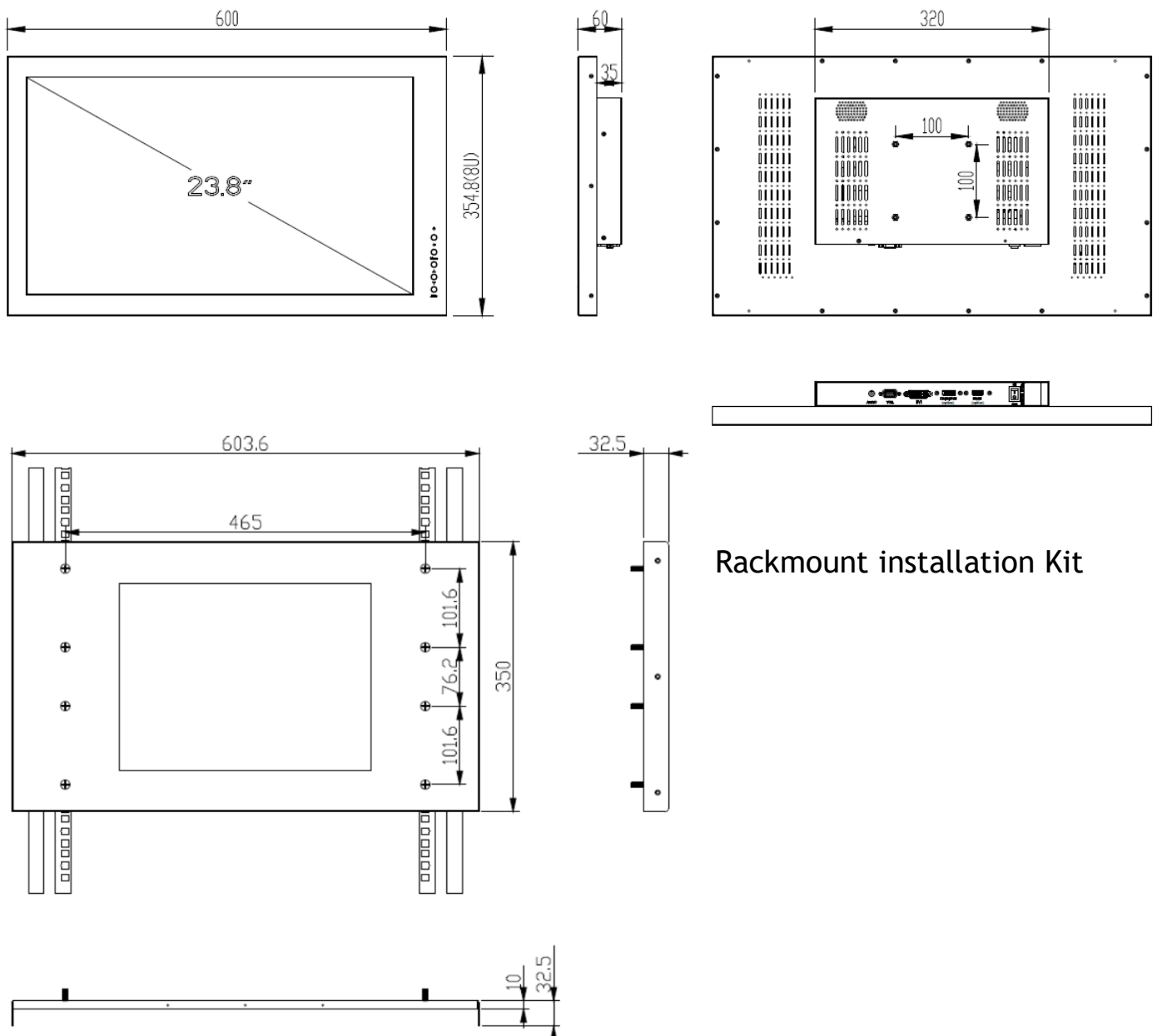
Main Feature

- ▶ 24" Wide Screen Rack Mount LCD
- ▶ Full 1080p HD resolution (1920 x 1080)
- ▶ Install into 8U of rack space
- ▶ VGA, HDMI, Audio and BNC Inputs
- ▶ Easy snap in/out installation
- ▶ Option upgrade: Touch Screen and 3G-SDI input /output (loopback)
- ▶ Built-in audio speakers
- ▶ Front-access OSD Controls

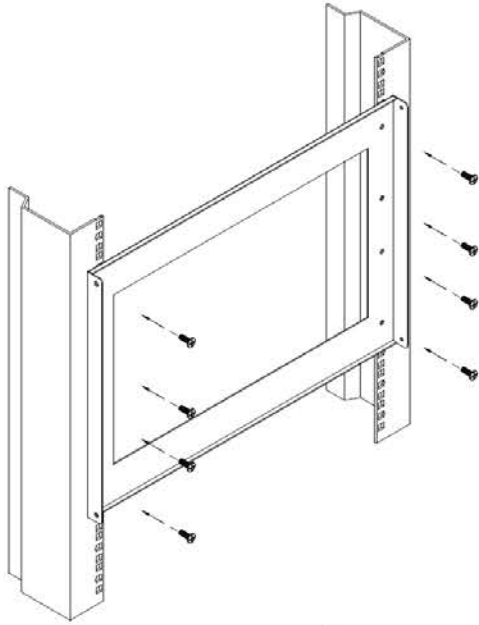
Specification	
Product Model	RMM-24W RMM-24WT
LCD Panel	Display Type : 24" Full HD LED Panel LCD Resolution : 1920 x 1080 Luminance : 250 cd/m ² View Angel : 178° (H), 178° (V)
Signal Input	VGA + HDMI + Audio + BNC
OSD	Brightness, Contrast, H/V Position, Color, Phase, Clock, Management
Touch Screen (optional)	Internal USB or RS-232 interface controller Type: Analog resistive type : 25VDC ≥ 20MΩ Resolution: continuous Light transmission: 80% or more Power consumption:<5V @1mA Surface hardness : 3H Operating force : ≤100g Life expectancy : 35 Million Operation system : Window 7 / 10/ CE, DOS , Linux
Signal Connectivity (optional)	HD-SDI, 3G-SDI Input & Output (loopback)
DC Power Input (optional)	Wide range DC 12V-24V input
Power Supply	Input: 100-240VAC,50/60Hz Output: DC12V@ 5A /60W ,external AC adapter
Construction	Heavy duty steel

Speaker	2x2 W Stereo speaker
Construction	Heavy duty steel
Environment	Operating temperature: 32 °F-113 °F (0 °C to 45 °C) Storage temperature: -4 °F-140 °F (-20 °C to 60 °C) Storage humidity: 10% to 95%@ 40 °C , on-condensing Vibration: 10 - 150Hz, 0.15mm 10 cycles 1G Shock: 30G peak acceleration (11 msec. duration)
Safety	CE/FCC/Rohs
Dimension W x H x D (mm)	Dimensions: 600 x 355 x 60mm
Ordering Information	
RMM-24W	8U, 19" Rack mount 24" Full HD LED monitor
RMM-24WT	8U, 19" Rack mount 24" Full HD LED monitor, with Touch Screen
Optional: DC	Support DC input (12-24VDC)
Optional: SDI	Support HD-SDI, 3G-SDI Input & Output (loopback)

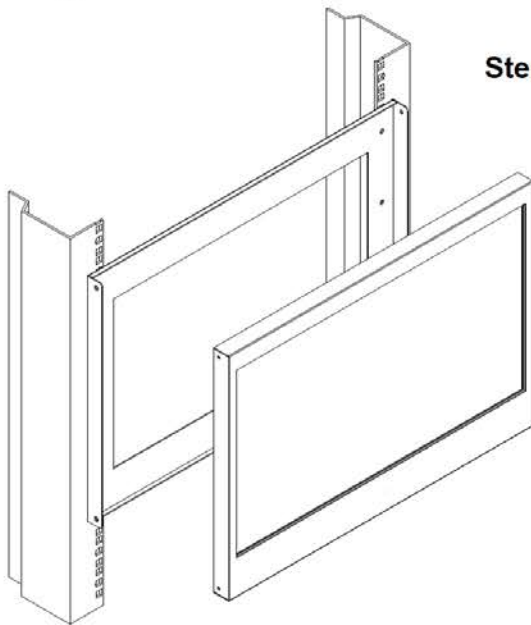
Structure Diagram (with 19" rackmount installation Kit)



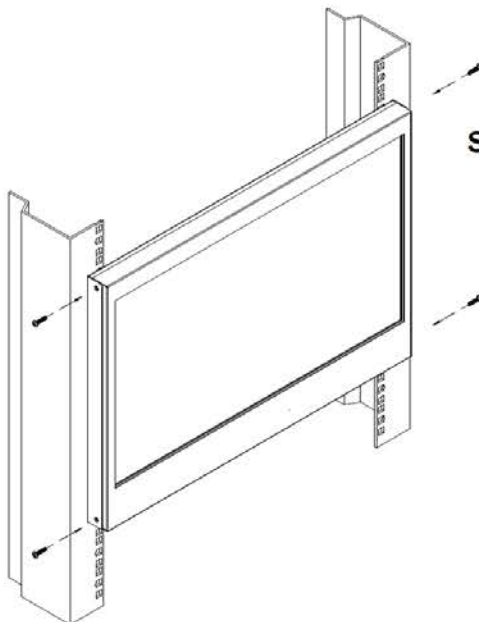
Rackmount installation Kit



Step 1 Mount the rear bracket with 8 x M6 screw



Step 2 Insert the display panel into the rear bracket



Step 3 Fix the display panel with screw